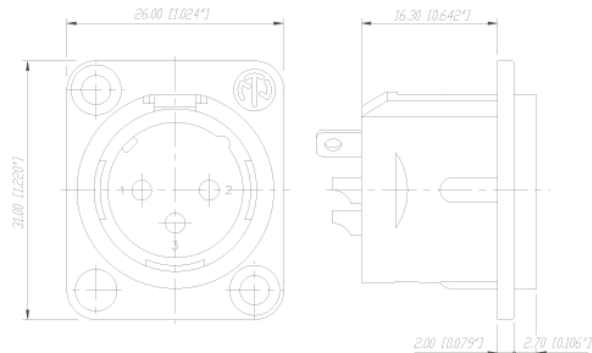


# NC3MDL1-B

3 pole male receptacle. Nickel housing and gold contacts. Cups for wire soldering.



## XLR Chassis Connectors / DL Series

Unified metal shell for male and female. RF-protected. Solder cups, or PCB terminations (4 and 5 pole only). UL recognized component.

### TECHNICAL DATA

#### Electrical

Number of contacts: 3 - 7  
Rated voltage: 50 V ac  
Contact resistance:  $\leq 5 \text{ m}\Omega$   
Insulation resistance - initial:  $> 2 \text{ G}\Omega$   
- after damp heat test:  $> 1 \text{ G}\Omega$  (IEC 68-2-30)  
Dielectric strength: 1500 V dc

#### Mechanical

Lifetime:  $> 1000$  mating cycles  
Insertion / withdrawal force:  $\leq 20 \text{ N}$   
Retention method (Female versions only): - standard: latch lock  
- '0' version: retention spring  
Separating force:  $\geq 20 \text{ N}$   
Rated current:  
3 pole: 16 A  
4 pole: 10 A  
5 and 6 pole: 7.5 A  
7 pole: 5 A

#### AWG:

3 pole: 2.5 mm<sup>2</sup>/14 AWG  
4 pole: 1.5 mm<sup>2</sup>/16 AWG  
5 und 6 pole: 1.0 mm<sup>2</sup>/18 AWG  
7 pole: 1.0 mm<sup>2</sup>/18 AWG

#### Capacitance between contacts

3 pole:  $\leq 4 \text{ pF}$   
4 pole:  $\leq 7 \text{ pF}$   
5 und 6 pole:  $\leq 7 \text{ pF}$   
7 pole:  $\leq 9 \text{ pF}$

#### Materials

Shell: ZnAl4Cu1, gal Ni or black Cr plating  
Insert: PA 6.6 30% GR (glass reinforced)  
Contacts: - female (4-7pole) & male: CuZn39Pb3  
Contact surface: gal 2 µm Ag or gal 0.2 µm Au hard alloy over 2 µm Ni  
Latch lock & spring: CK 67 steel, treated

#### Environmental

Temperature range: -30° C to + 80° C  
Flammability: UL 94HB  
Solderability: complies with IEC 68-2-20

#### Compatibility:

PCB versions (4 & 5 pole):  
horizontal PCB mounting, fastening by chassis mounting holes with M3 threads or by self tapping  
PLASTITE®\* screws with thread 2.9x1.06 (tri-rondular) direct to PCB.