

Dual Precision Instrumentation Switched-Capacitor Building Block

FEATURES

- Instrumentation Front End with 120dB CMRR
- Precise, Charge-Balanced Switching
- Operates from 3V to 18V
- Internal or External Clock
- Operates up to 5MHz Clock Rate
- Low Power
- Two Independent Sections with One Clock

APPLICATIONS

- Precision Instrumentation Amplifiers
- Ultra Precision Voltage Inverters, Multipliers and Dividers
- V-F and F-V Converters
- Sample and Hold
- Switched-Capacitor Filters

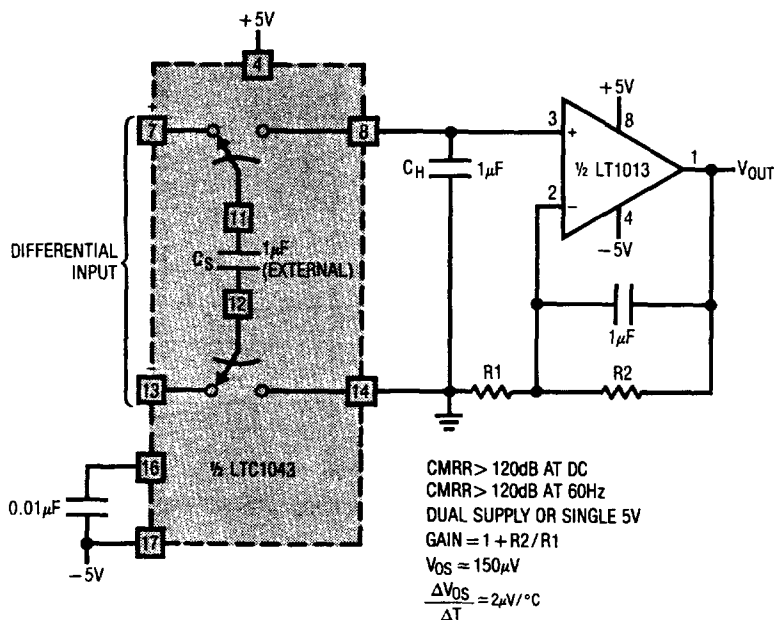
DESCRIPTION

The LTC1043 is a monolithic, charge-balanced, dual switched-capacitor instrumentation building block. A pair of switches alternately connects an external capacitor to an input voltage and then connects the charged capacitor across an output port. The internal switches have a break-before-make action. An internal clock is provided and its frequency can be adjusted with an external capacitor. The LTC1043 can also be driven with an external CMOS clock.

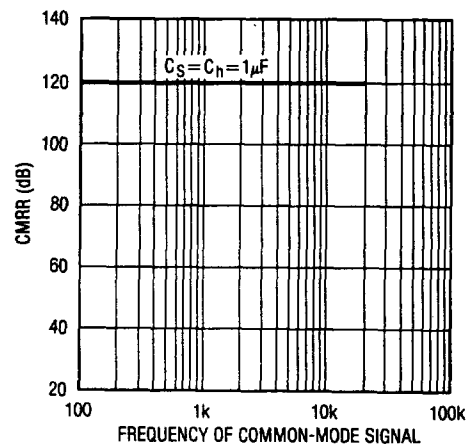
The LTC1043, when used with low clock frequencies, provides ultra precision DC functions without requiring precise external components. Such functions are differential voltage to single-ended conversion, voltage inversion, voltage multiplication and division by 2, 3, 4, 5, etc. The LTC1043 can also be used for precise V-F and F-V circuits without trimming, and it is also a building block for switched-capacitor filters, oscillators and modulators.

The LTC1043 is manufactured using Linear Technology's enhanced LTCMOS™ silicon gate process.

Instrumentation Amplifier



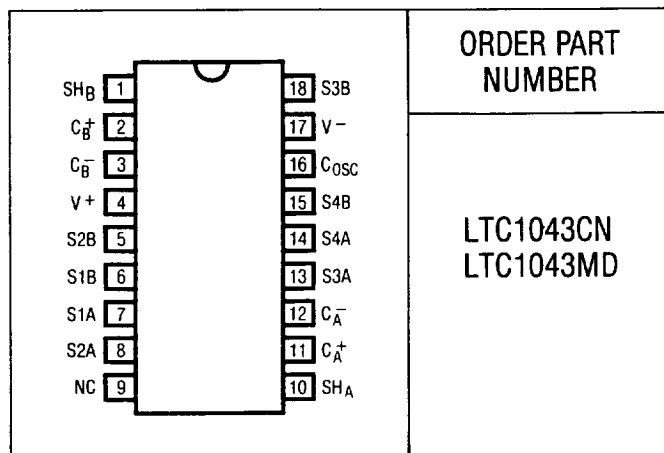
CMRR vs Frequency



ABSOLUTE MAXIMUM RATINGS

Supply Voltage (V^+ to V^-) 18V
 Input Voltage
 at Any Pin $V^- - 0.3V \leq V_{IN} \leq V^+ + 0.3V$
 Operating Temperature Range
 LTC1043C $-40^\circ\text{C} \leq T_A \leq 85^\circ\text{C}$
 LTC1043M $-55^\circ\text{C} \leq T_A \leq 125^\circ\text{C}$
 Storage Temperature Range -65°C to 150°C
 Lead Temperature (Soldering, 10 sec.) 300°C

PACKAGE/ORDER INFORMATION



ELECTRICAL CHARACTERISTICS $V^+ = 10V, V^- = 0V, T_A = 25^\circ\text{C}$ unless otherwise specified.

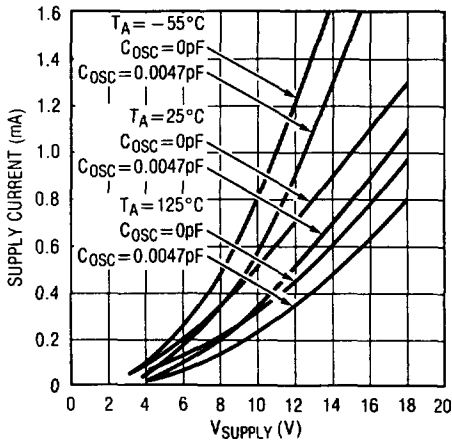
SYMBOL	PARAMETER	CONDITIONS	LTC1043M			LTC1043C			UNITS	
			MIN	TYP	MAX	MIN	TYP	MAX		
I_S	Power Supply Current	Pin (16) Connected High or Low	●	0.25	0.4	0.7	0.25	0.4	0.7	mA
		C_{OSC} (Pin 16 to V^-) = 100pF	●	0.4	0.65	1	0.4	0.65	1	mA
I_l	OFF Leakage Current	Any Switch, Test Circuit 1 (Note 1)	●	6	100	500	6	100	100	pA
			●	6	500	1000	6	100	1000	nA
R_{ON}	ON Resistance	Test Circuit 2, $V_{IN} = 7V, I = \pm 0.5mA$ $V^+ = 10V, V^- = 0V$	●	240	400	700	240	400	700	Ω
R_{ON}	ON Resistance	Test Circuit 2, $V_{IN} = 3.1V, I = \pm 0.5mA$ $V^+ = 5V, V^- = 0V$	●	400	700	1000	400	700	1000	Ω k Ω
f_{OSC}	Internal Oscillator Frequency	C_{OSC} (Pin 16 to V^-) = 0pF	●	20	34	50	20	34	50	kHz
		C_{OSC} (Pin 16 to V^-) = 100pF	●	15	34	75	15	34	75	kHz
		Test Circuit 3	●	15	34	75	15	34	75	kHz
I_{OSC}	Pin Source or Sink Current	Pin 16 at V^+ or V^-	●	40	70	100	40	70	100	μA μA
		Break-Before-Make Time		25			25			ns
	Clock to Switching Delay	C_{OSC} Pin Externally Driven		75			75			ns
f_M	Maximum External CLK Frequency	C_{OSC} Pin Externally Driven with CMOS Levels		5			5			MHz
CMRR	Common-Mode Rejection Ratio	$V^+ = 5V, V^- = -5V, -5V < V_{CM} < 5V, DC$ to 400Hz		120			120			dB

The ● denotes the specifications which apply over the full operating temperature range: LTC1043M operates from $-55^\circ\text{C} \leq T_A \leq 125^\circ\text{C}$; LTC1043C operates from $-40^\circ\text{C} \leq T_A \leq 85^\circ\text{C}$.

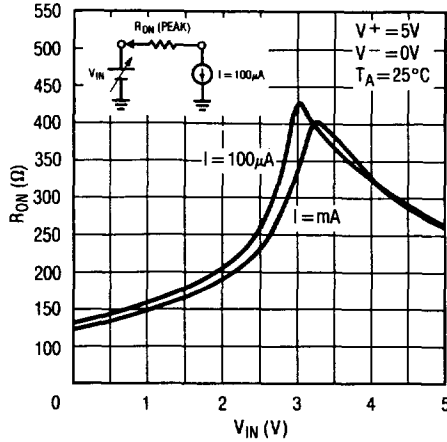
Note 1: OFF leakage current is guaranteed but not tested at 25°C .

TYPICAL PERFORMANCE CHARACTERISTICS (Test Circuits 2 through 4)

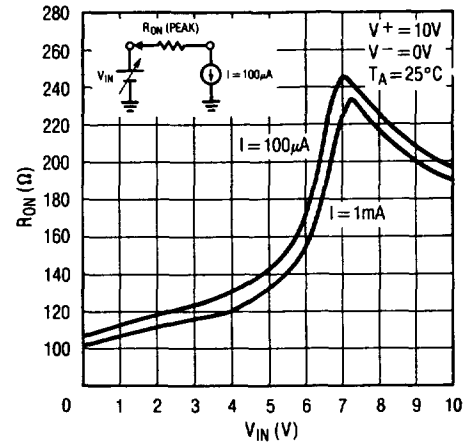
Power Supply Current vs Power Supply Voltage



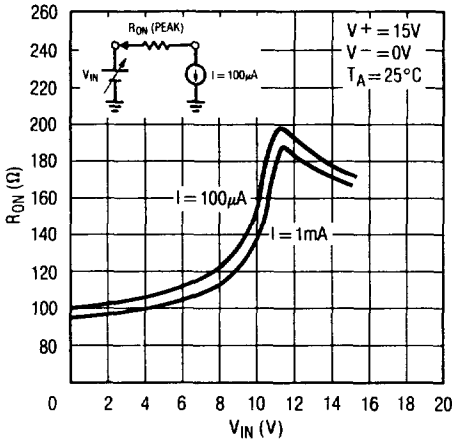
R_{ON} vs V_{IN}



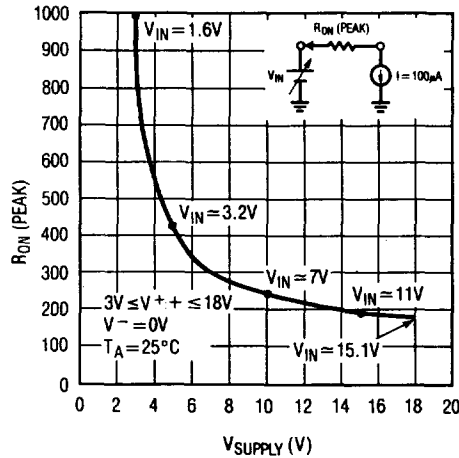
R_{ON} vs V_{IN}



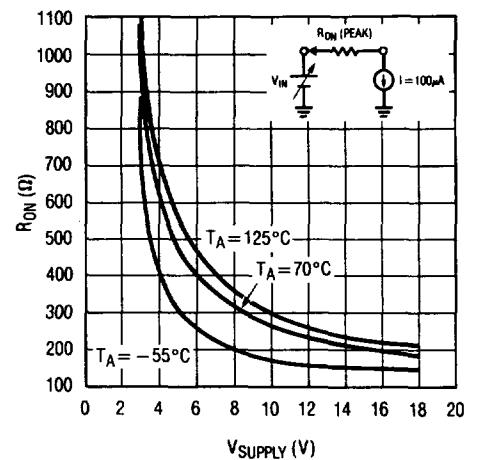
R_{ON} vs V_{IN}



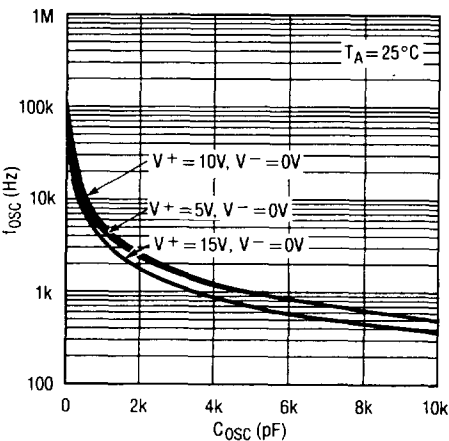
R_{ON} (Peak) vs Power Supply Voltage



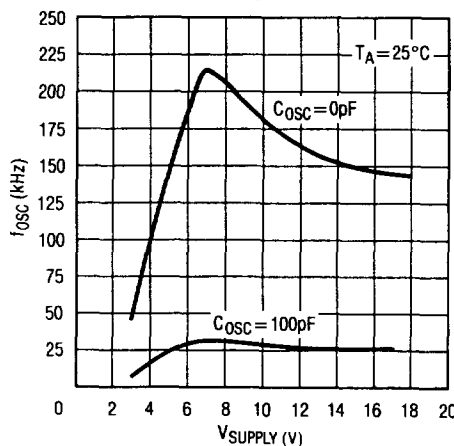
R_{ON} (Peak) vs Power Supply Voltage and Temperature



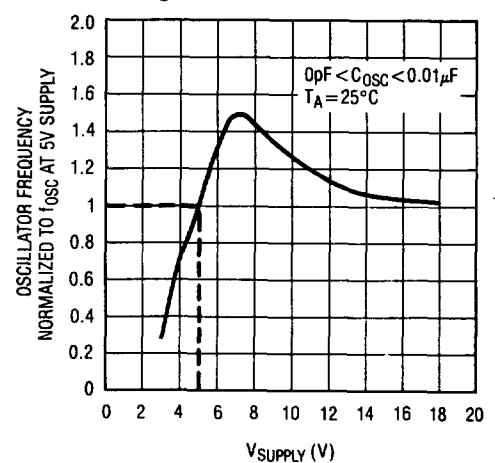
Oscillator Frequency, f_{OSC} , vs C_{OSC}



Oscillator Frequency, f_{OSC} , vs Supply Voltage

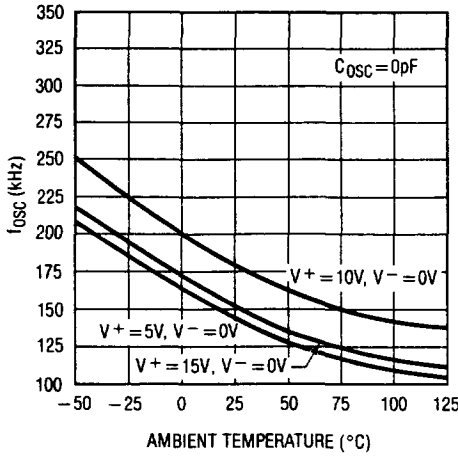


Normalized Oscillator Frequency, f_{OSC} , vs Supply Voltage

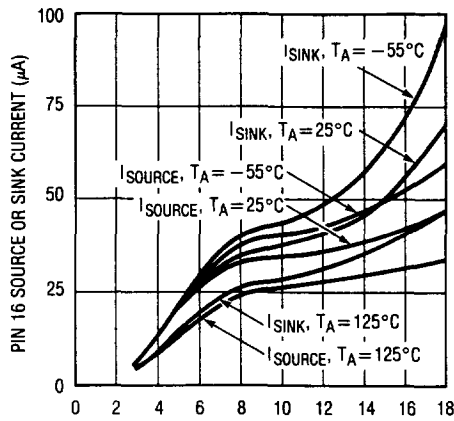


TYPICAL PERFORMANCE CHARACTERISTICS (Test Circuits 2 through 4)

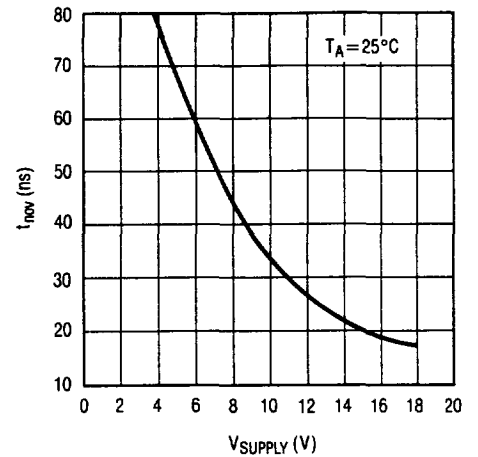
Oscillator Frequency, f_{OSC} , vs Ambient Temperature, T_A



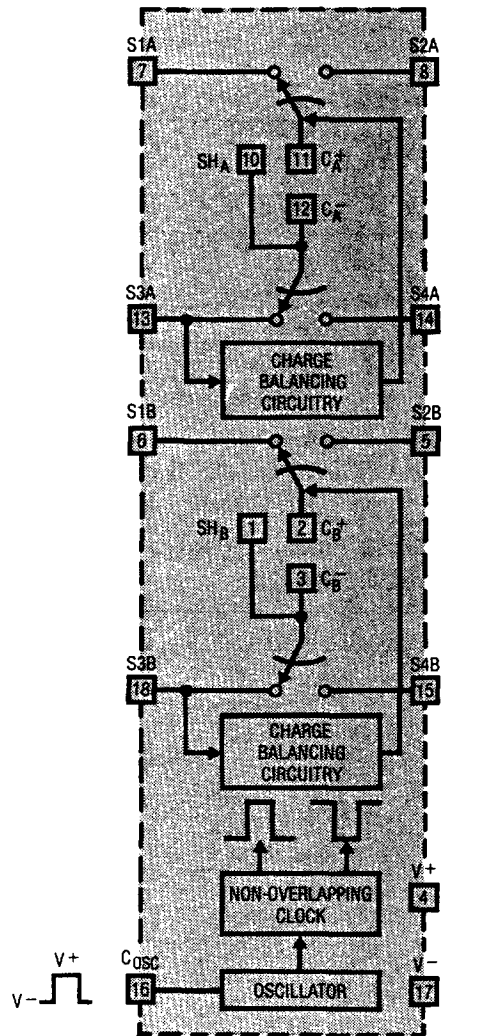
Cosc Pin I_{SINK} , I_{SOURCE} vs Supply Voltage



Break-Before-Make Time, t_{NOV} , vs Supply Voltage



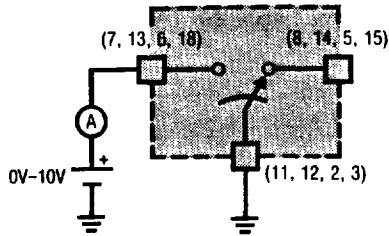
BLOCK DIAGRAM



THE SWITCHES ARE TIMED AS SHOWN WITH PIN 16 HIGH

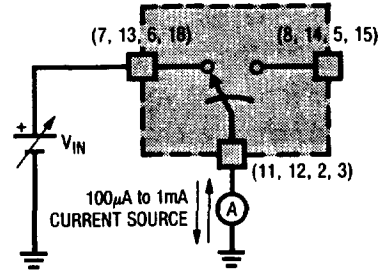
THE CHARGE BALANCING CIRCUITRY SAMPLES THE VOLTAGE AT S3 WITH RESPECT TO S4 (PIN 16 HIGH) AND INJECTS A SMALL CHARGE AT THE C+ PIN (PIN 16 LOW). THIS BOOSTS THE CMRR WHEN THE LTC1043 IS USED AS AN INSTRUMENTATION AMPLIFIER FRONT END. FOR MINIMUM CHARGE INJECTION IN OTHER TYPES OF APPLICATIONS, S3A AND S3B SHOULD BE GROUNDDED.

TEST CIRCUITS

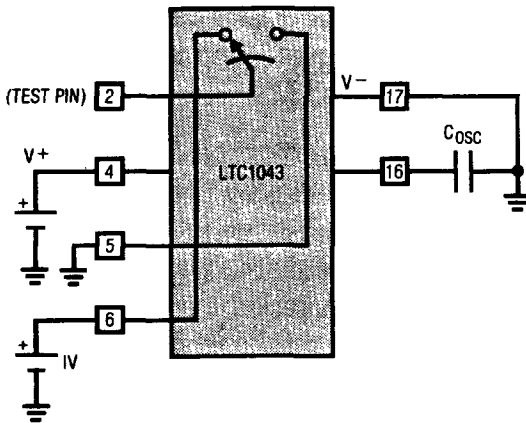


NOTE: TO OPEN SWITCHES S1 AND S3 SHOULD BE CONNECTED TO V-. TO OPEN S2, S4, C_{OSC} PIN SHOULD BE TO V+. C_{osc}

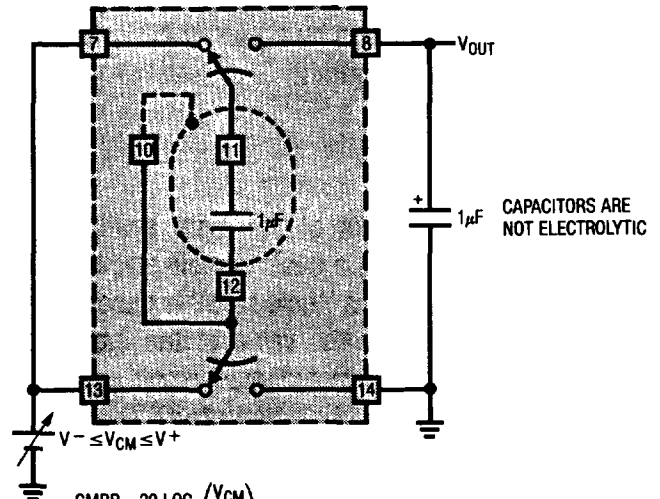
Test Circuit 1. Leakage Current Test



Test Circuit 2. R_{ON} Test



Test Circuit 3. Oscillator Frequency, f_{osc}



$$CMRR = 20 \text{ LOG} \left(\frac{V_{CM}}{V_{OUT}} \right)$$

NOTE: FOR OPTIMUM CMRR, THE C_{OSC} SHOULD BE LARGER THAN 0.0047µF, AND THE SAMPLING CAPACITOR ACROSS PINS 11 AND 12 SHOULD BE PLACED OVER A SHIELD TIED TO PIN 10.

Test Circuit 4. CMRR Test

APPLICATIONS INFORMATION

Common-Mode Rejection Ratio (CMRR)

The LTC1043, when used as a differential to single-ended converter (Figure 1) rejects common-mode signals and preserves differential voltages. Unlike other techniques, the LTC1043's CMRR does not degrade with increasing common-mode voltage frequency. During the sampling mode, the impedance of pins 2, 3 (and 11, 12) should be reasonably balanced, otherwise, common-mode signals will appear differentially. The value of the CMRR depends on the value of the sampling and holding capacitors (C_S, C_H) and on the sampling frequency. Since the common-mode voltages are not sampled, the common-mode signal frequency can well exceed the sampling frequency without experiencing aliasing phenomena. The CMRR of Figure 1

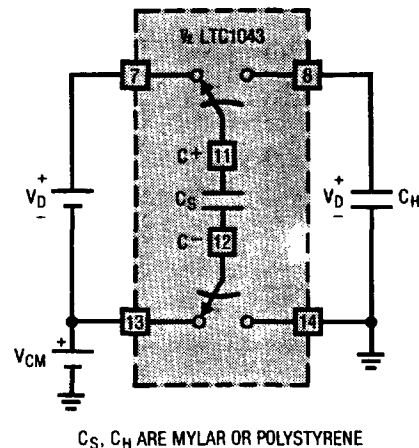


Figure 1. Differential to Single-Ended Converter

APPLICATIONS INFORMATION

is measured by shorting pins 7 and 13 and by observing, with a precision DVM, the change of the voltage across C_H with respect to an input CM voltage variation. During the sampling and holding mode, charges are being transferred and minute voltage transients will appear across the holding capacitor. Although the R_{ON} on the switches is low enough to allow fast settling, as the sampling frequency increases, the rate of charge transfer increases and the average voltage measured with a DVM across it will increase proportionally; this causes the CMRR of the sampled data system, as seen by a "continuous" instrument (DVM), to decrease, Figure 2.

Switch Charge Injection

Figure 3 shows one out of the eight switches of the LTC1043, configured as a basic sample and hold circuit. When the switch opens, a "hold step" is observed and its magnitude depends on the value of the input voltage. Figure 4 shows charge injected into the hold capacitor. For instance, a 2pC of charge injected into a $0.01\mu\text{F}$ capacitor causes a $200\mu\text{V}$ hold step. As shown in Figure 4, there is a predictable and repeatable charge injection cancellation when the input voltage is close to half the supply voltage of the LTC1043. This is a unique feature of this product, containing charge-balanced switches fabricated with a self-aligning gate CMOS process. Any switch of the LTC1043, when powered with symmetrical dual supplies, will sample and hold small signals around ground without any significant error.

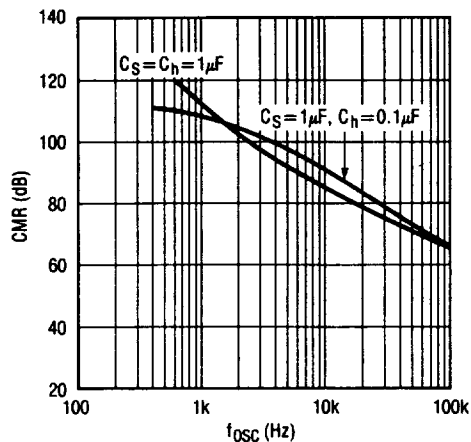


Figure 2. CMRR vs Sampling Frequency

Shielding the Sampling Capacitor for Very High CMRR

Internal or external parasitic capacitors from the C^+ pin(s) to ground affect the CMRR of the LTC1043, (Figure 1). The common-mode error due to the internal junction capacitances of the C^+ pin(s) 2 and 11 is cancelled through internal circuitry. The C^+ pin, therefore, should be used as the top plate of the sampling capacitor. The interpin capacitance between pin 2 and dummy pin 1 (11 and 10) appears in parallel with the sampling capacitor so it does not degrade the CMRR. A shield placed underneath the sampling capacitor (Figure 5) and connected to either pin 1 or 3 helps to boost the CMRR in excess of 120dB.

Excessive external parasitic capacitance between the C^- pins and ground indirectly degrades CMRR; this becomes visible especially when the LTC1043 is used with clock frequencies above 2kHz. Because of this, if a shield is used, the parasitic capacitance between the shield and circuit ground should be minimized.

It is recommended that the outer plate of the sampling capacitor be connected to the C^- pin(s).

Input Pins, SCR Sensitivity

An internal 60Ω resistor is connected in series with the input of the switches (pins 5, 6, 7, 8, 13, 14, 15, 18) and it is included in the R_{ON} specification. When the input voltage exceeds the power supply by a diode drop, current will flow into the input pin(s). The LTC1043 will not

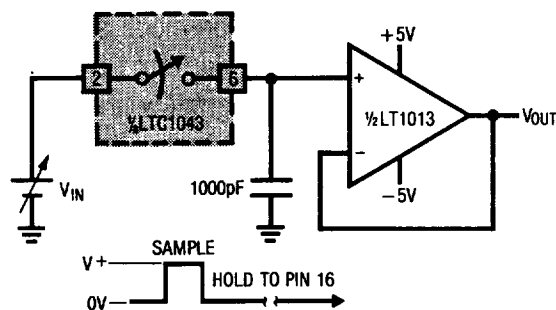


Figure 3

APPLICATIONS INFORMATION

latch until the input current reaches 2mA–3mA. The device will recover from the latch mode when the input drops 3V–4V below the voltage value which caused the latch. For instance, if an external resistor of 200Ω is connected in series with an input pin, the input can be taken 1.3V above the supply without latching the IC. The same applies for the C⁺ and C⁻ pins.

Cosc Pin (16), Figure 6

The Cosc pin can be used with an external capacitor, C_{osc}, connected from pin 16 to pin 17, to modify the internal oscillator frequency. If pin 16 is floating, the internal 24pF capacitor plus any external interpin capacitance set the oscillator frequency around 190kHz with ±5V supply. The typical performance characteristics curves provide the necessary information to set the oscillator fre-

quency for various power supply ranges. Pin 16 can also be driven with an external clock to override the internal oscillator. Although standard 7400 series CMOS gates do not guarantee CMOS levels with the current source and sink requirements of pin 16, they will in reality drive the Cosc pin. CMOS gates conforming to standard B series output drive have the appropriate voltage levels and more than enough output current to simultaneously drive several LTC1043 Cosc pins. The typical trip levels of the Schmitt trigger, Figure 6, are given below.

SUPPLY	TRIP LEVELS	
V ⁺ = 5V, V ⁻ = 0V	V _H = 3.4V	V _L = 1.35V
V ⁺ = 10V, V ⁻ = 0V	V _H = 6.5V	V _L = 2.8V
V ⁺ = 15V, V ⁻ = 0V	V _H = 9.5V	V _L = 4.1V

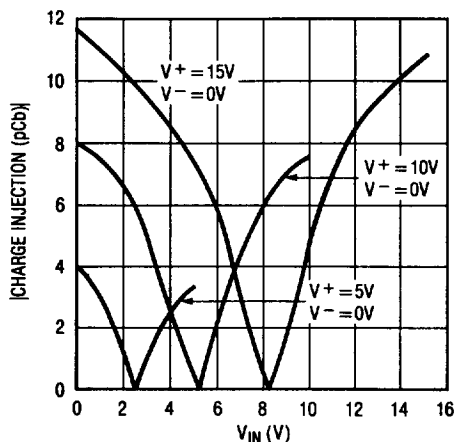


Figure 4. Individual Switch Charge Injection vs Input Voltage

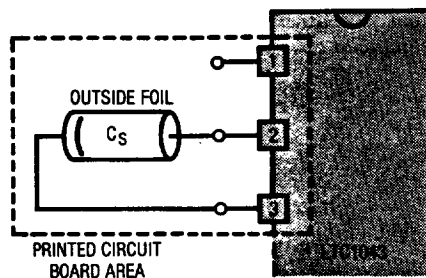
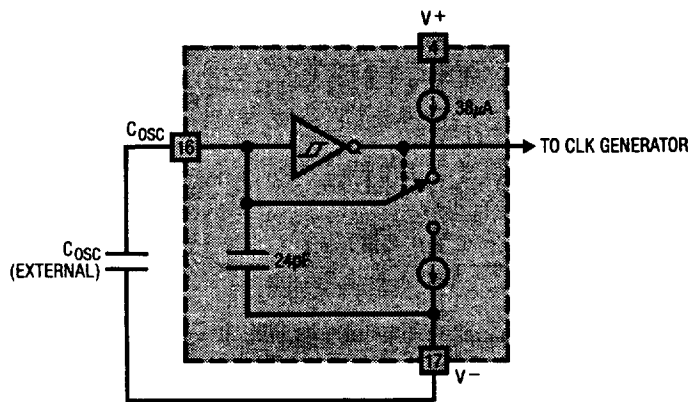


Figure 5. Printed Circuit Board Layout Showing Shielding the Sampling Capacitor

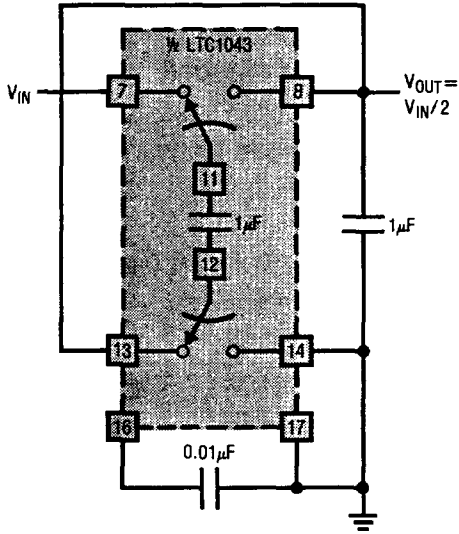


$$f_{osc} = 190\text{kHz} \times \frac{24\text{pF}}{24\text{pF} + C_{osc}}$$

Figure 6. Internal Oscillator

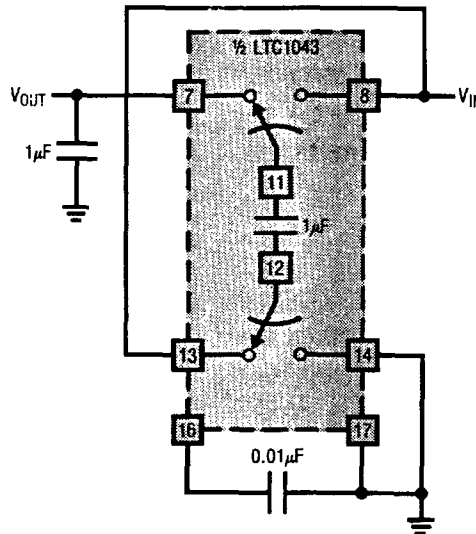
APPLICATIONS

Divide by 2



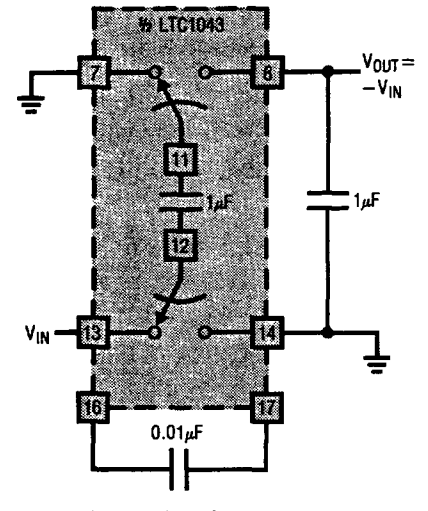
$V_{OUT} = V_{IN}/2 \pm 1\text{ppm}$
 $0 \leq V_{IN} \leq V^+$
 $3 \leq V^+ \leq 18\text{V}$

Multiply by 2



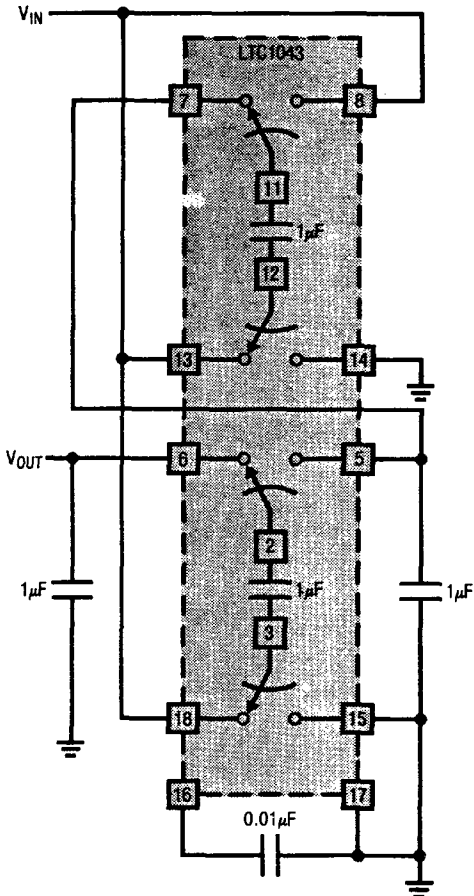
$V_{OUT} = 2V_{IN} \pm 5\text{ppm}$
 $0 \leq V_{IN} < V^+ / 2$
 $3 \leq V^+ \leq 18\text{V}$

Ultra Precision Voltage Inverter



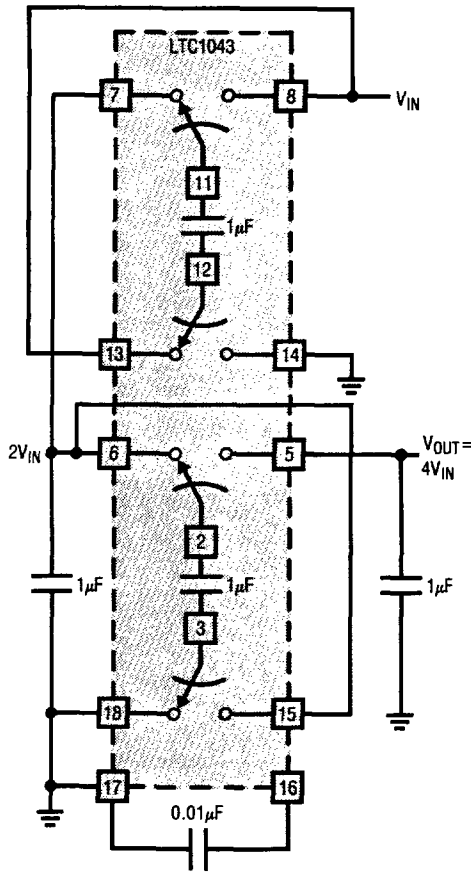
$V_{OUT} = -V_{IN} \pm 2\text{ppm}$
 $V^- < V_{IN} < V^+$
 $V^+ = +5\text{V}, V^- = -5\text{V}$

Precision Multiply by 3



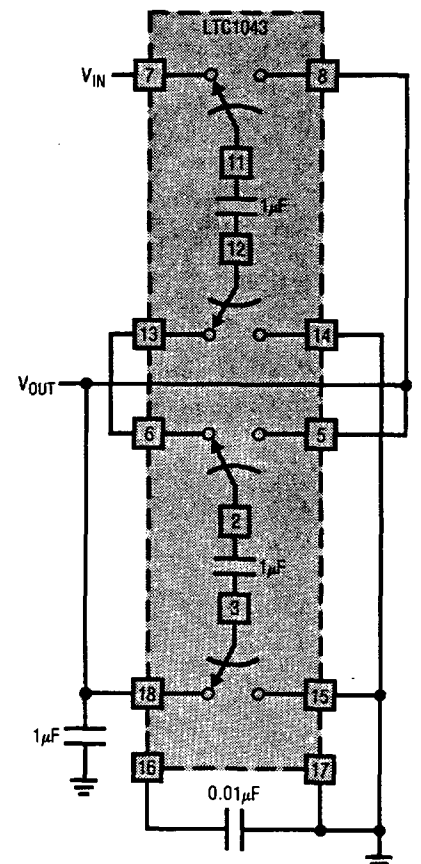
$V_{OUT} = 3V_{IN} \pm 10\text{ppm}$
 $0 < V_{IN} < V^+ / 3$
 $3\text{V} < V^+ < 18\text{V}$

Precision Multiply by 4



$V_{OUT} = 4V_{IN} \pm 40\text{ppm}$
 $0 \leq V_{IN} \leq V^+ / 4$
 $3\text{V} < V^+ < 18\text{V}$

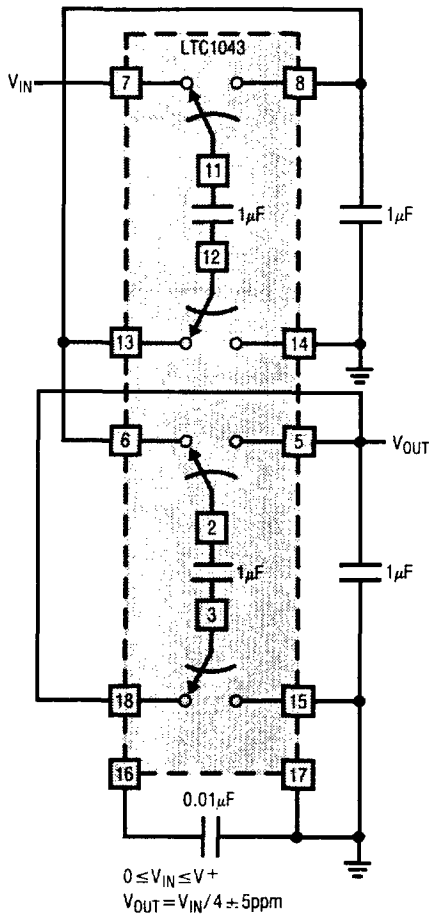
Divide by 3



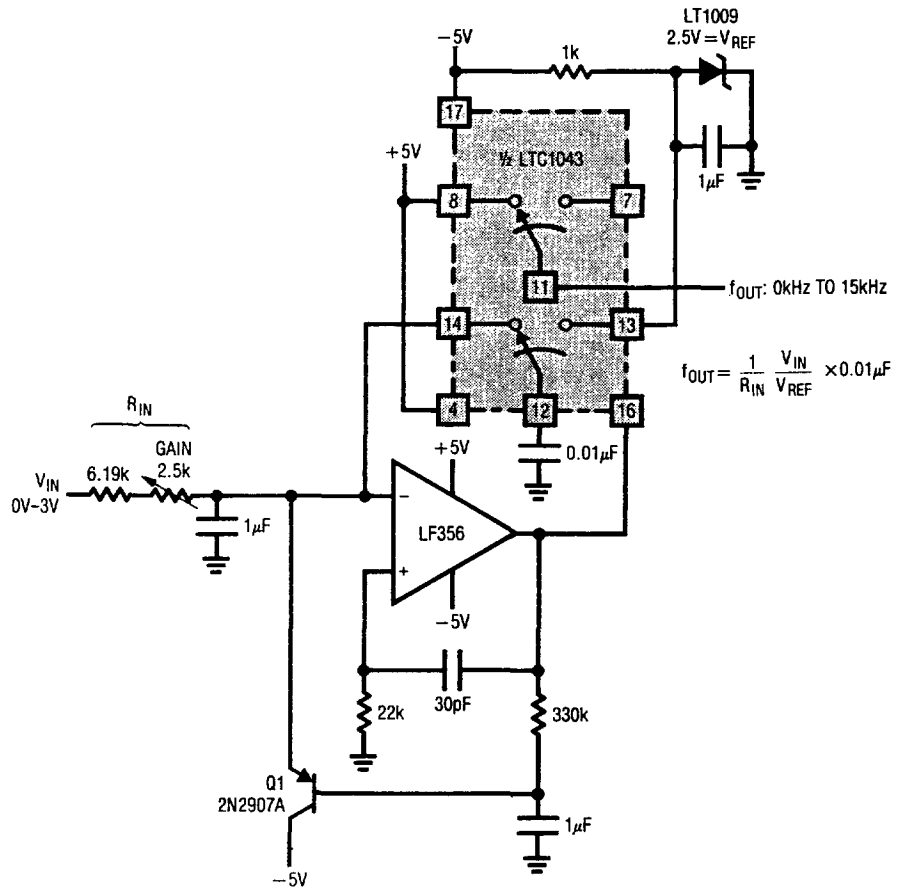
$V_{OUT} = V_{IN}/3 \pm 3\text{ppm}$
 $0 \leq V_{IN} \leq V^+$

APPLICATIONS

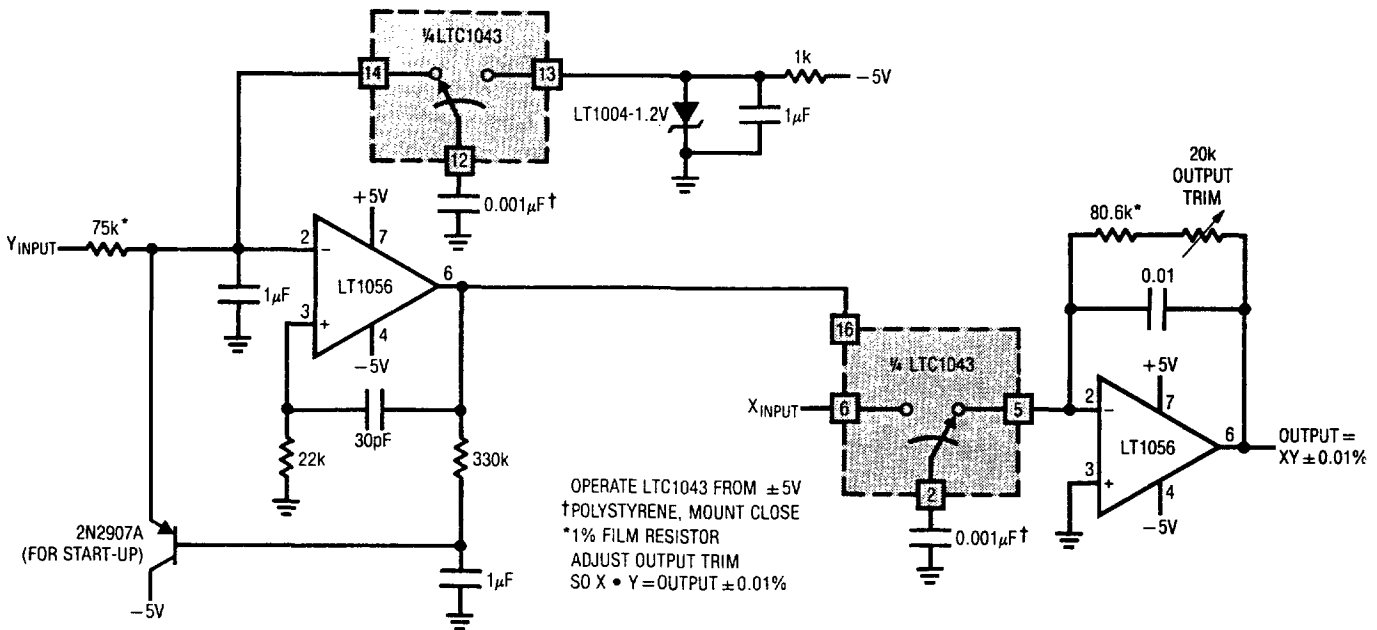
Divide by 4



0.005% V → F Converter



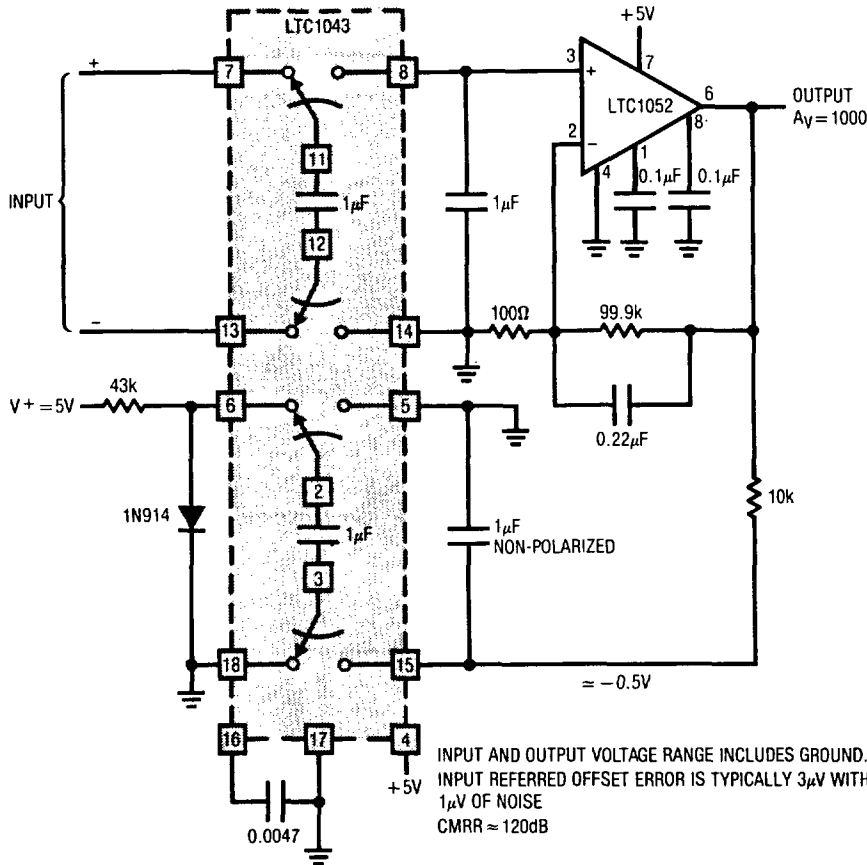
0.01% Analog Multiplier



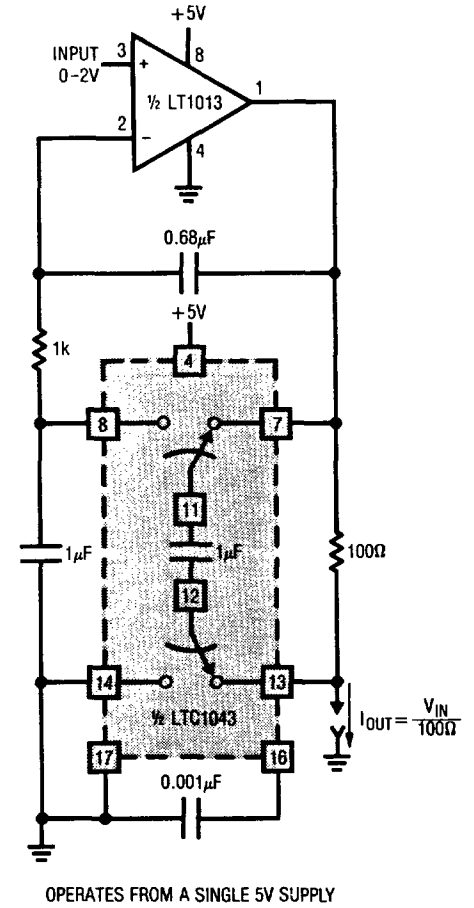
11

APPLICATIONS

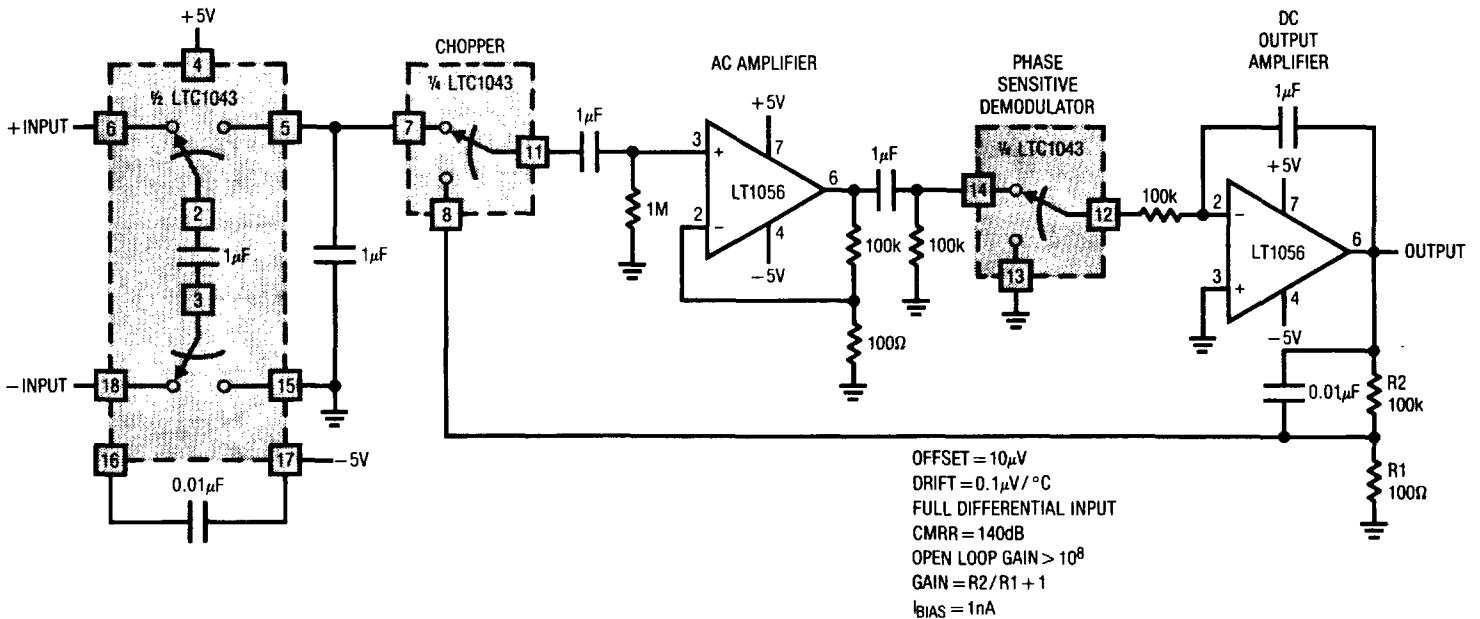
Single 5V Supply, Ultra Precision Instrumentation Amplifier



Voltage Controlled Current Source with Ground Referred Input and Output

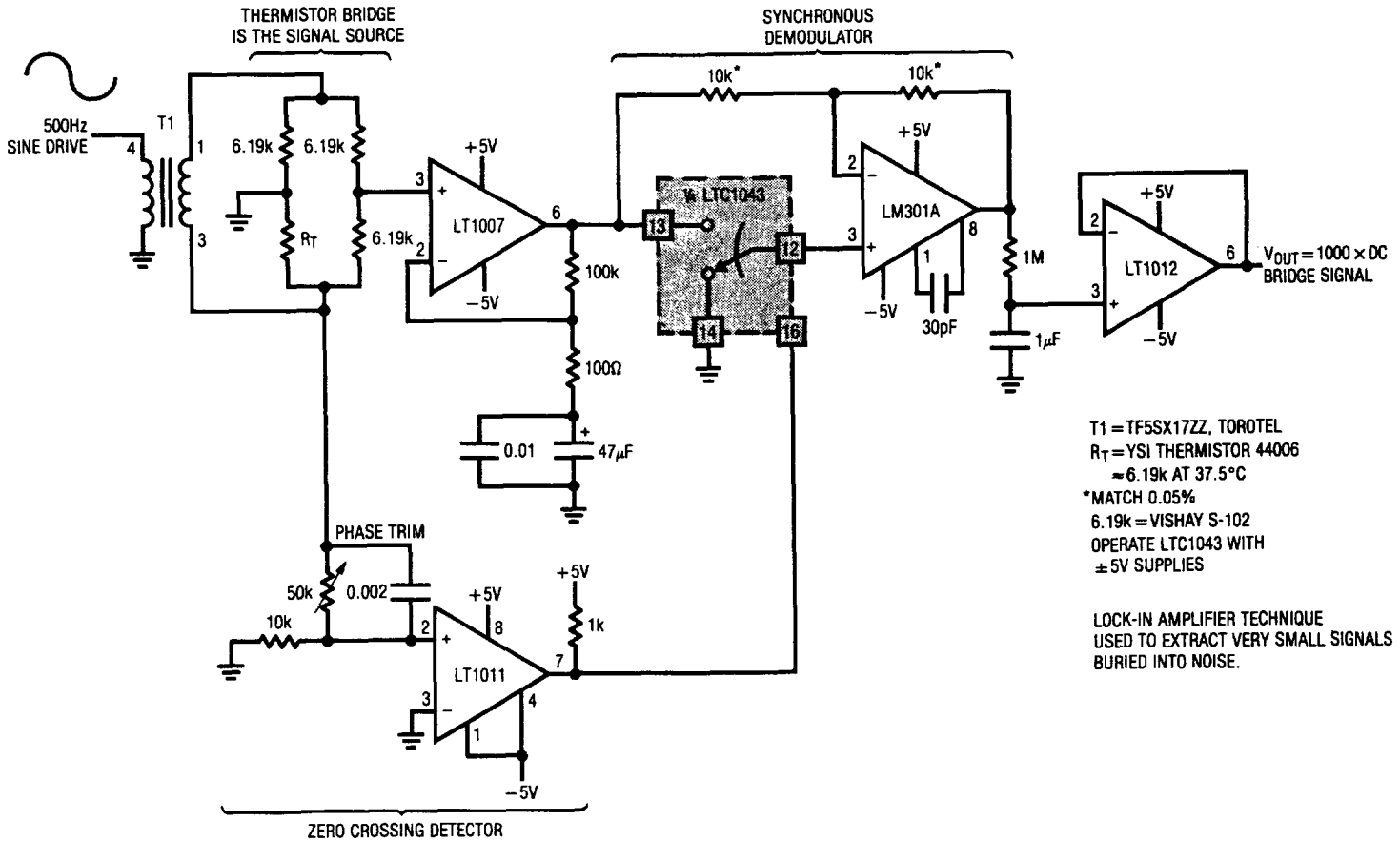


Precision Instrumentation Amplifier

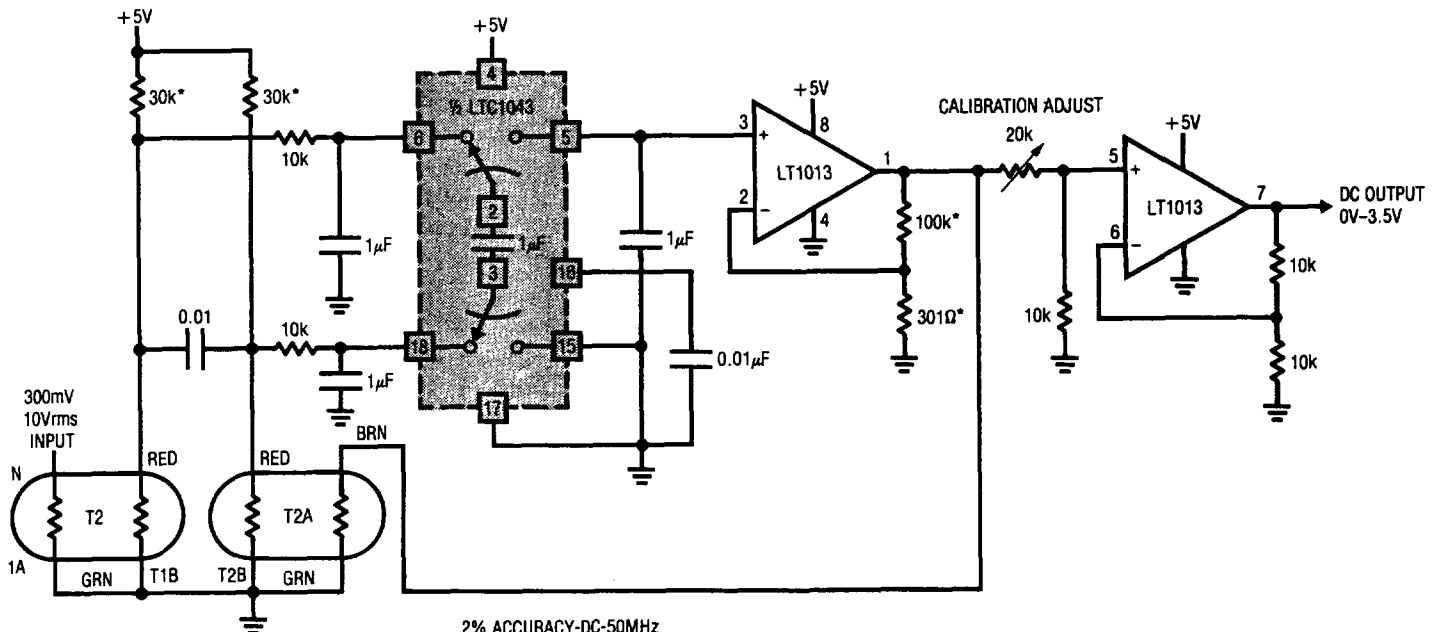


APPLICATIONS

Lock-In Amplifier (= Extremely Narrow-Band Amplifier)



50MHz Thermal rms \rightarrow DC Converter

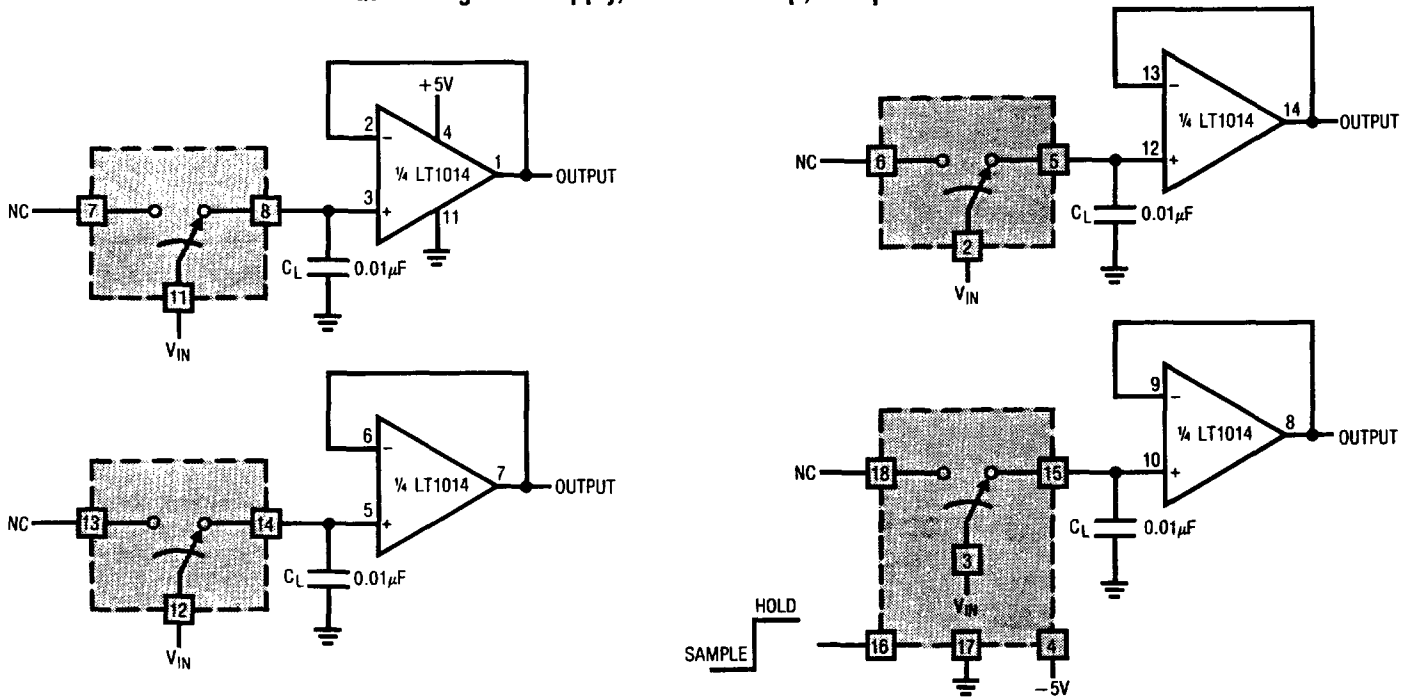


2% ACCURACY-DC-50MHz
 100:1 CREST FACTOR CAPABILITY
 T1-T2 = YELLOW SPRINGS INST. CO. THERMISTOR COMPOSITE
 ENCLOSE T1 AND T2 IN STYROFOAM

*1% RESISTOR

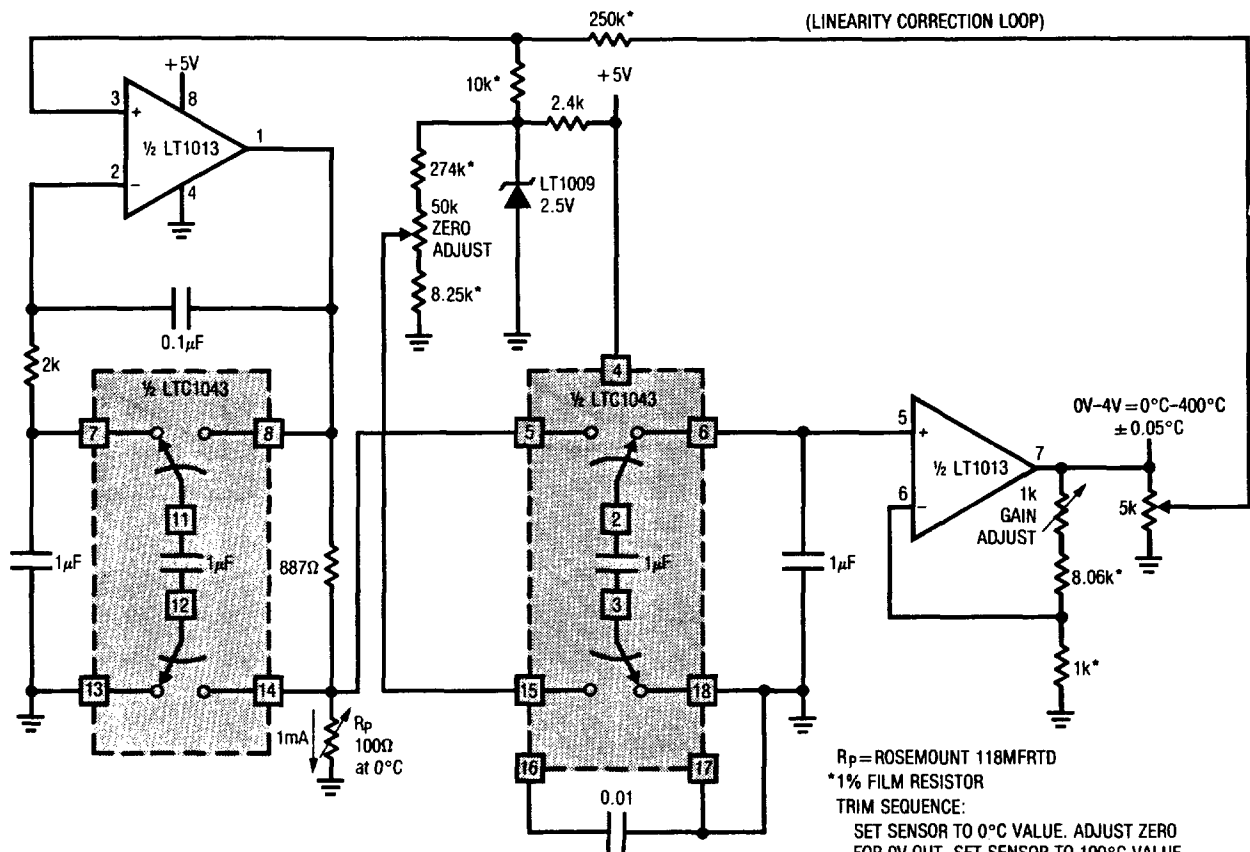
APPLICATIONS

Quad Single 5V Supply, Low Hold Step, Sample and Hold



FOR $1V \leq V_{IN} \leq 4V$, THE HOLD STEP IS $\leq 300\mu V$.
ACQUISITION TIME $\sim 8 \times R_{ON} C_H$ FOR 10-BIT ACCURACY.

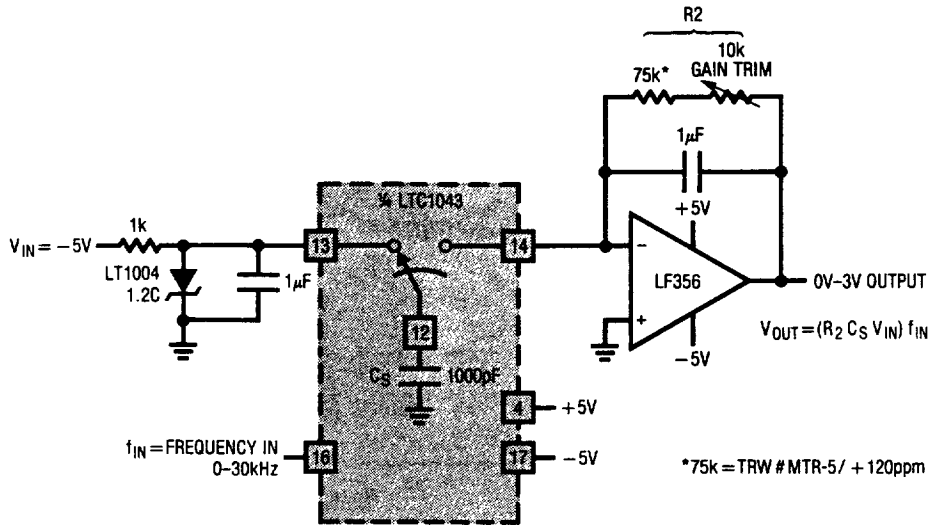
Single Supply Precision Linearized Platinum RTD Signal Conditioner



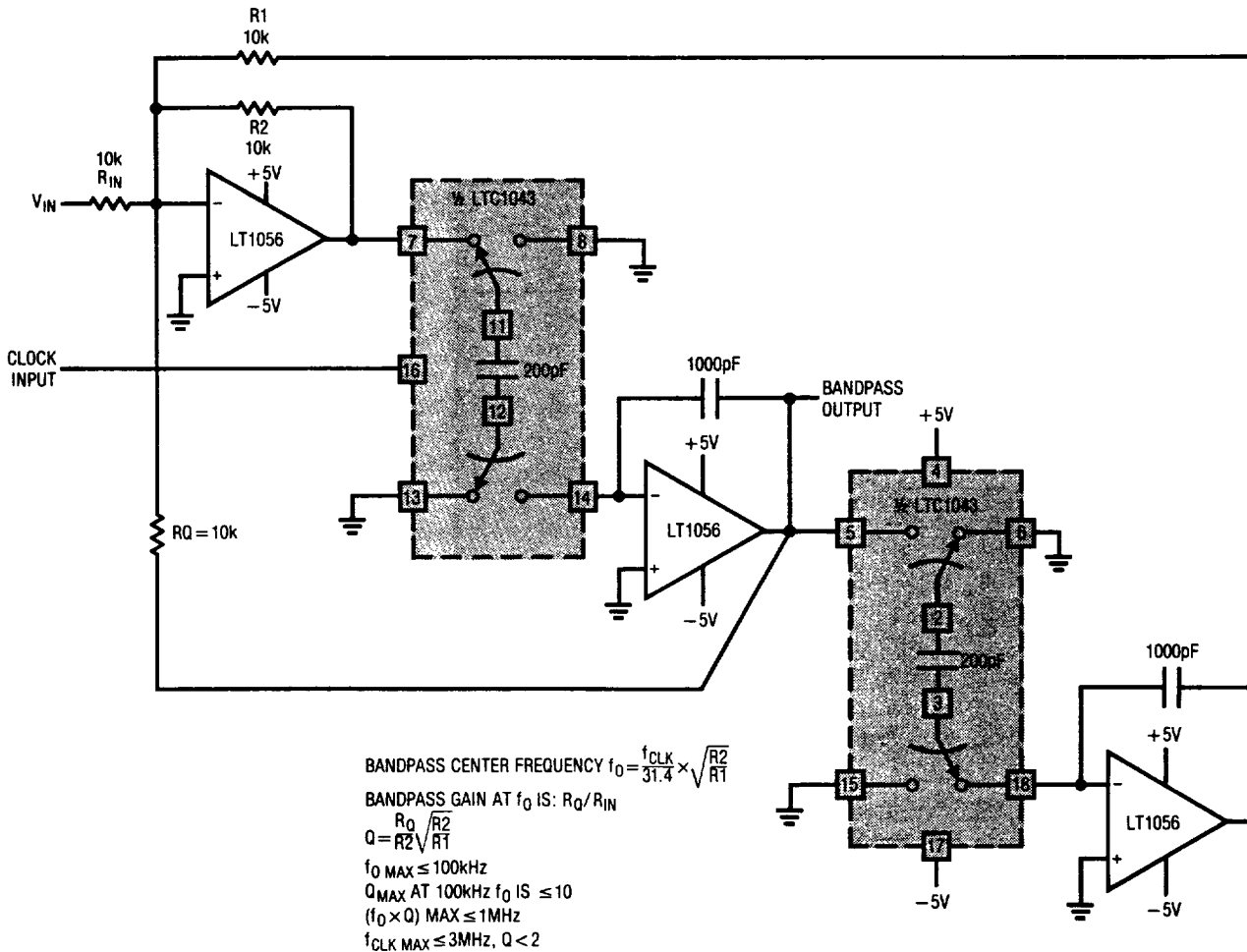
R_p = ROSEMOUNT 118MFRTD
*1% FILM RESISTOR
TRIM SEQUENCE:
SET SENSOR TO 0°C VALUE. ADJUST ZERO FOR 0V OUT. SET SENSOR TO 100°C VALUE. ADJUST GAIN FOR 1.000V OUT. SET SENSOR TO 400°C VALUE. ADJUST LINEARITY FOR 4.000V OUT. REPEAT AS REQUIRED.

APPLICATIONS

0.005% F → V Converter



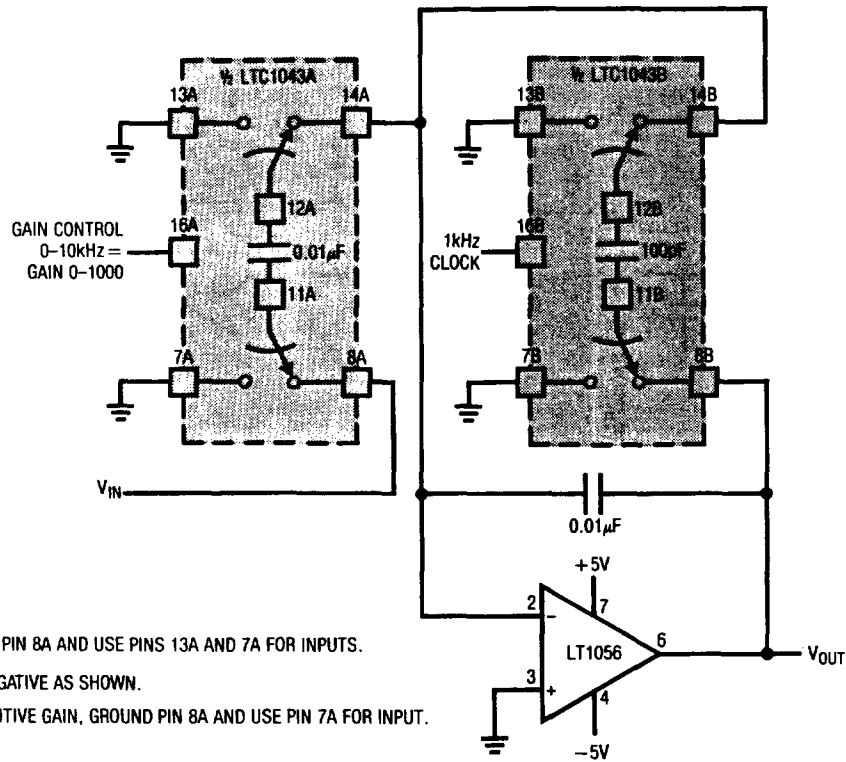
High Frequency Clock Tunable Bandpass Filter



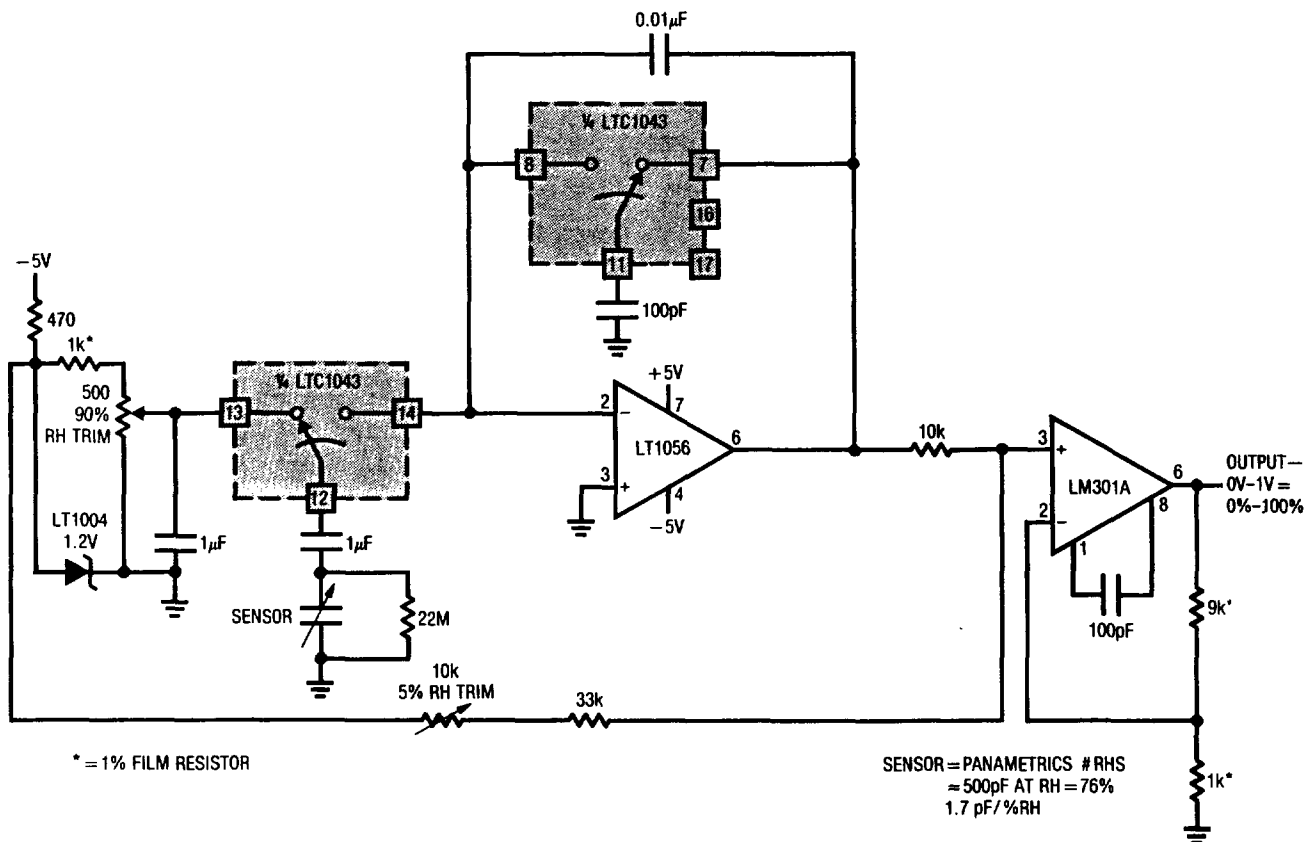
11

APPLICATIONS

Frequency-Controlled Gain Amplifier

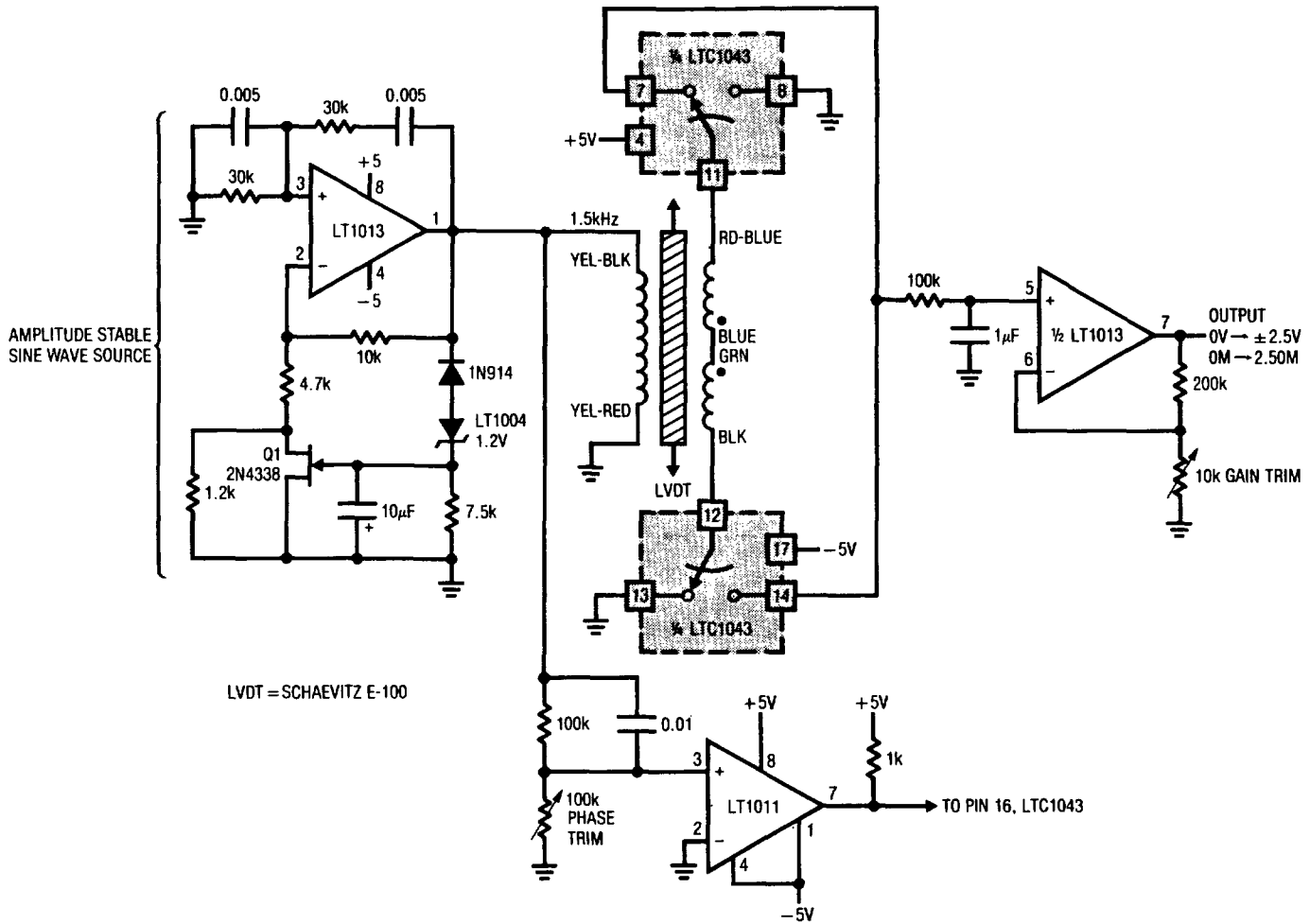


Relative Humidity Sensor Signal Conditioner

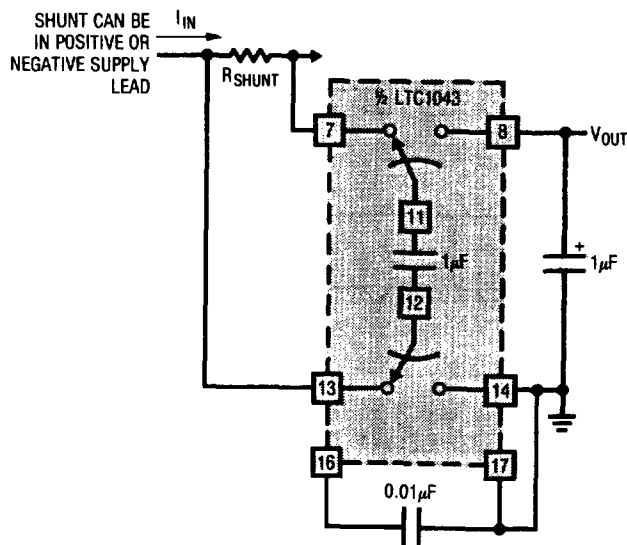


APPLICATIONS

Linear Variable Differential Transformer (LVDT), Signal Conditioner



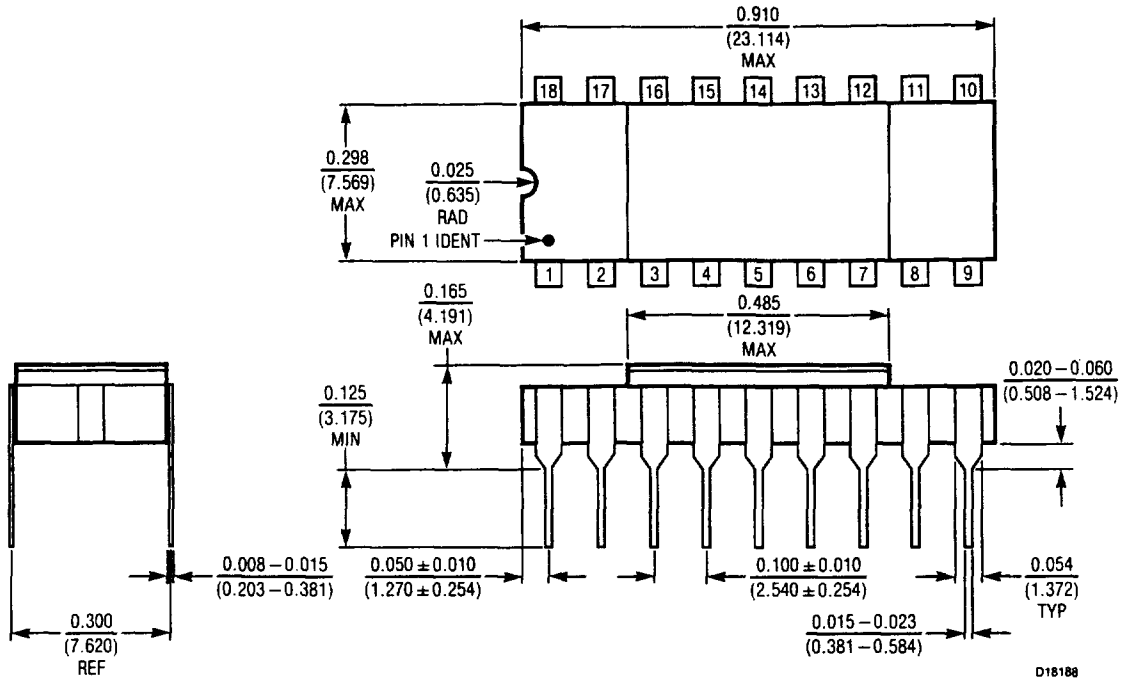
Precision Current Sensing in Supply Rails



PACKAGE DESCRIPTION

Dimensions in inches (millimeters) unless otherwise noted.

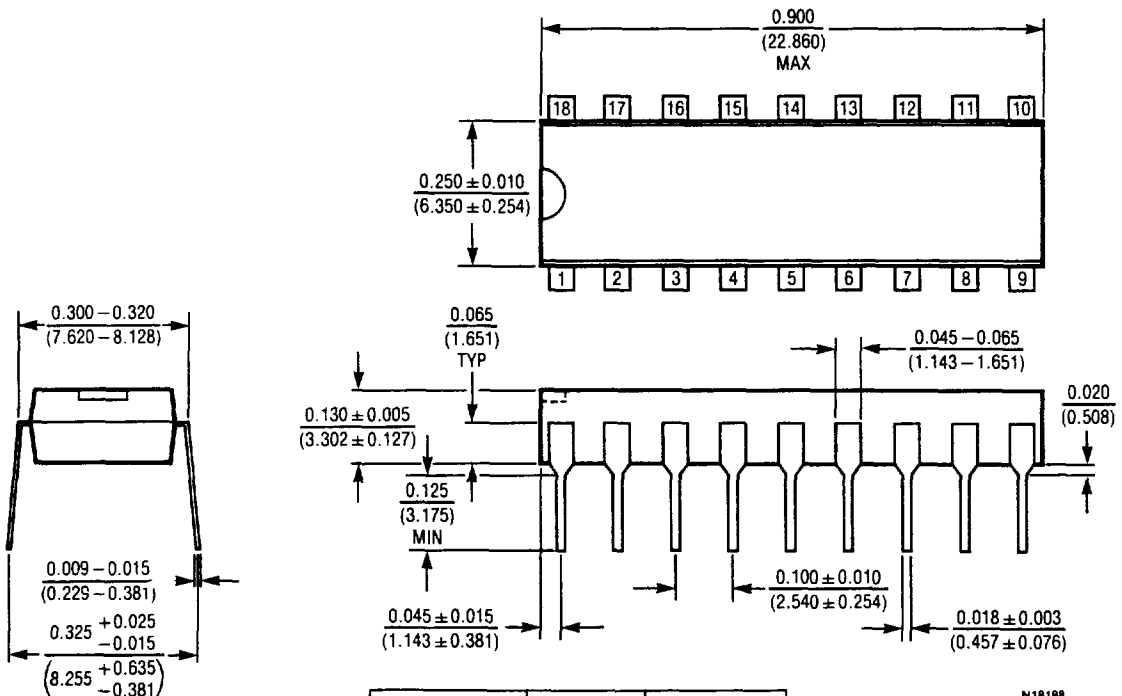
**D Package
18 Lead Side Brazed**



D18188

	T _{jmax}	Θ _{ja}
LTC1043MD	150°C	100°C/W
LTC1043CD	150°C	100°C/W

**N Package
18 Lead Plastic DIP**



N18188

	T _{jmax}	Θ _{ja}
LTC1043CN	100°C	100°C/W