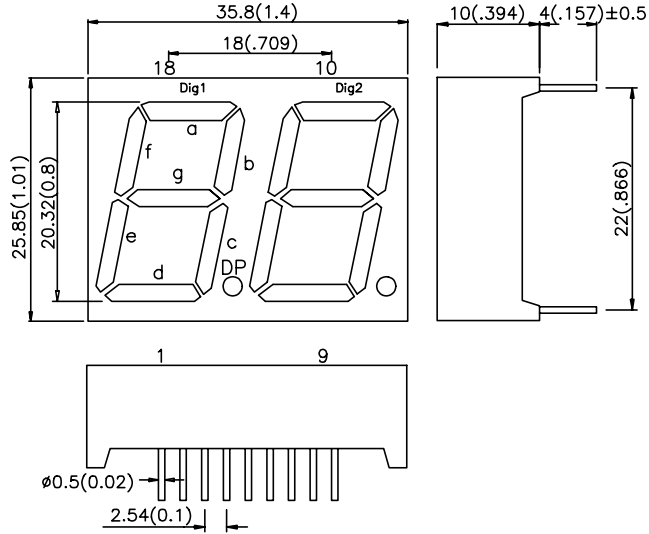
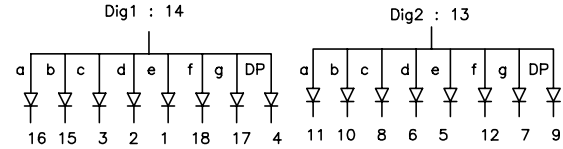


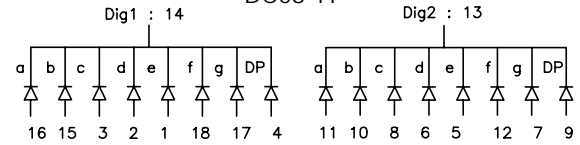
DA/DC08 Series



DA08-11



DC08-11



NOTES :

1. All dimensions are in millimeters (inches)
2. Tolerance is $\pm 0.25\text{mm}$ (0.01") unless otherwise noted.