

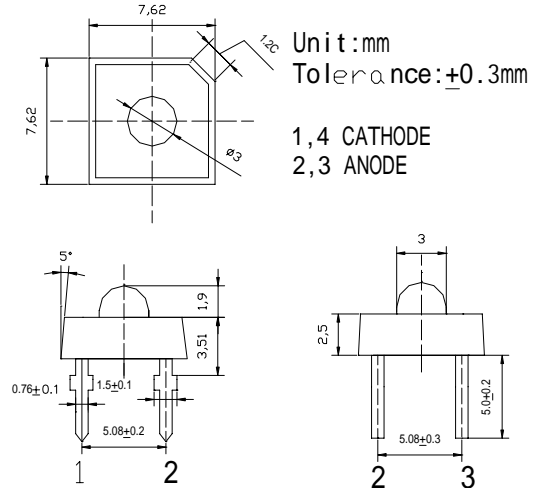
■Features

- Super Flux Output
- Water Clear Type
- Low Thermal resistance
- Design For High Current Operation.

■Applications

- Automotive Dashboard Lighting
- Traffic signal lamp
- Other Exterior Lighting

■Outline Dimension



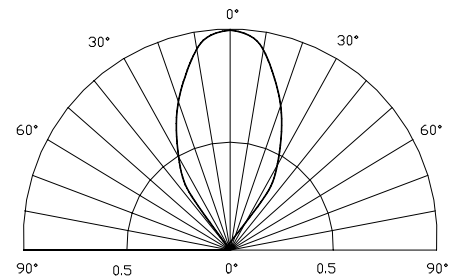
■Absolute Maximum Rating

(Ta=25)

Item	Symbol	Value	Unit
DC Forward Current	I _F	50	mA
Pulse Forward Current*	I _{FP}	120	mA
Reverse Voltage	V _R	5	V
Power Dissipation	P _D	120	mW
Operating Temperature	Topr	-30 ~ +85	
Storage Temperature	Tstg	-40 ~ +100	
Lead Soldering Temperature	Tsol	260 /5sec	-

*Pulse width Max.10ms Duty ratio max 1/10

■Directivity



■Electrical -Optical Characteristics

(Ta=25)

Item	Symbol	Condition	Min.	Typ.	Max.	Unit
DC Forward Voltage	V _F	I _F =20mA	1.8	2.0	2.4	V
DC Reverse Current	I _R	V _R =5V	-	-	10	μA
Domi. Wavelength	λ _D	I _F =20mA	620	625	630	nm
Luminous Intensity	I _v	I _F =20mA	1200	2500	3500	mcd
50% Power Angle	2θ _{1/2}	I _F =20mA	-	60	-	deg